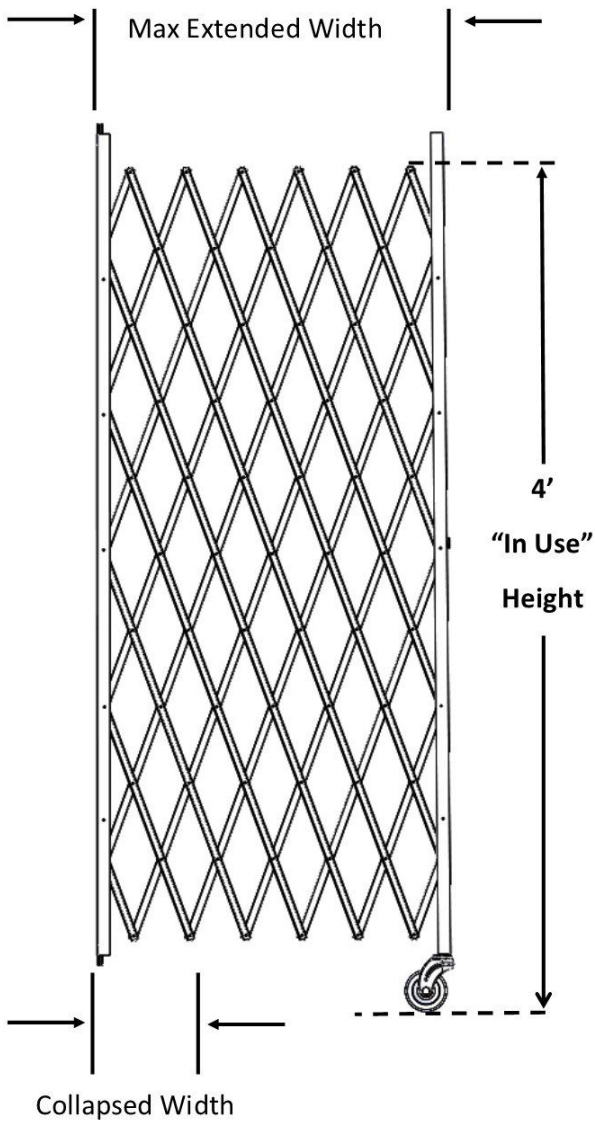


4' Safety Gates

4'4" Overall height.

4' lattice height when in use or fully extended

Single Gates



Width	Part #	Max Extended Width *	Collapsed Width
4'	4-4S	4'7"	7-1/4"
5'	5-4S	5'3"	8"
5'-6"	6-4S	5'11"	8-3/4"
6'	7-4S	6'7"	9-1/2"
6'6"	8-4S	7'4"	10-1/4"
7'	9-4S	8'	11"
8'	10-4S	8'8"	11-3/4"
8'6"	11-4S	9'4"	12-1/2"
9'	12-4S	10'1"	13-1/4"
10'	13-4S	11'1"	14"
11'	14-4S	11'5"	14-3/4"

*"Max Extended Width" is the maximum width to which the gate will stretch.